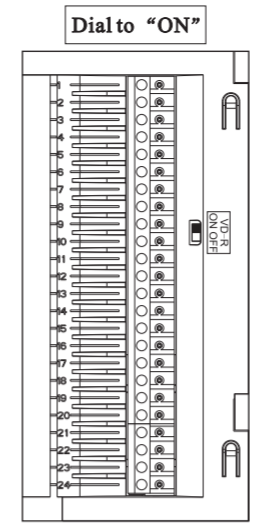
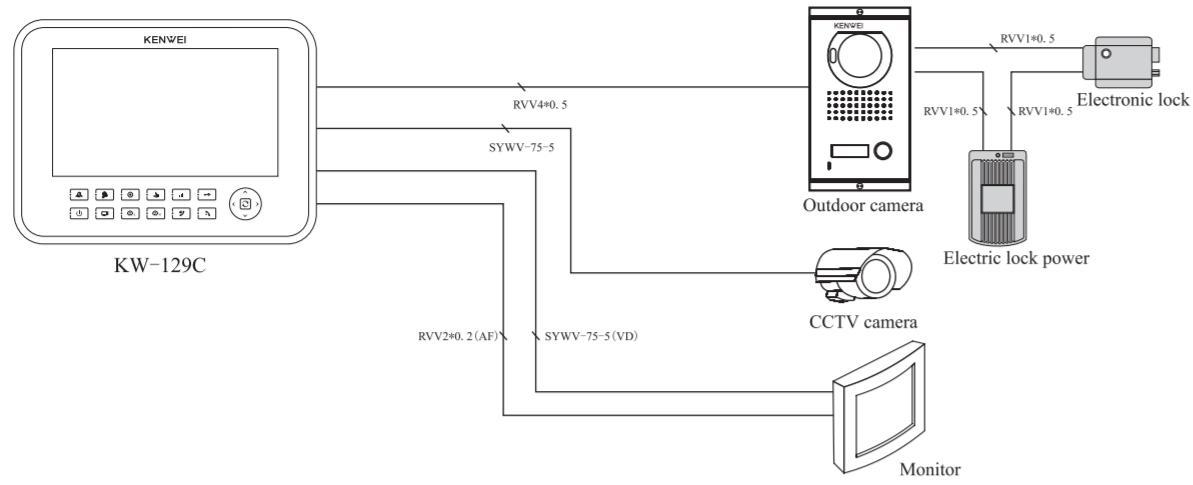
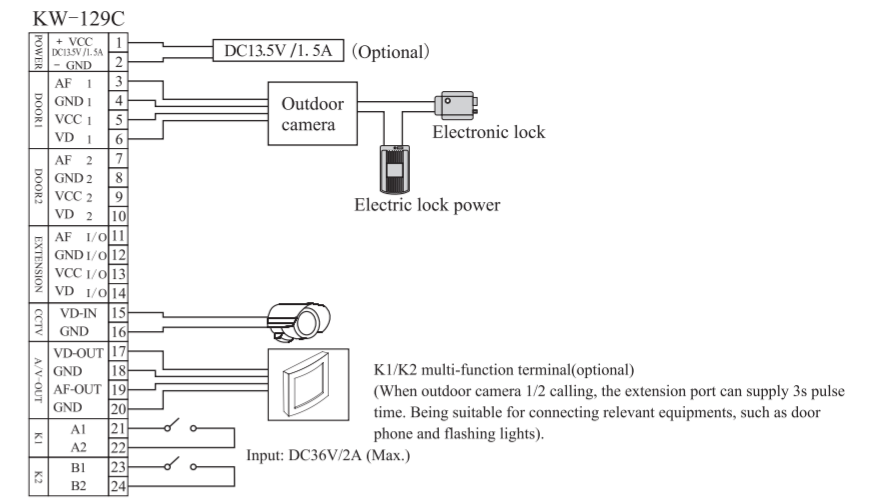


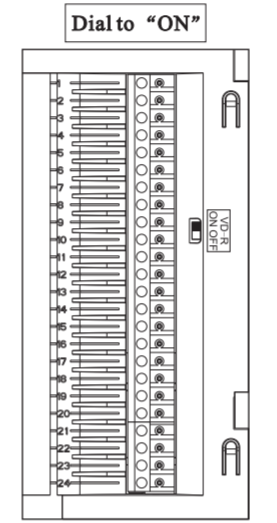
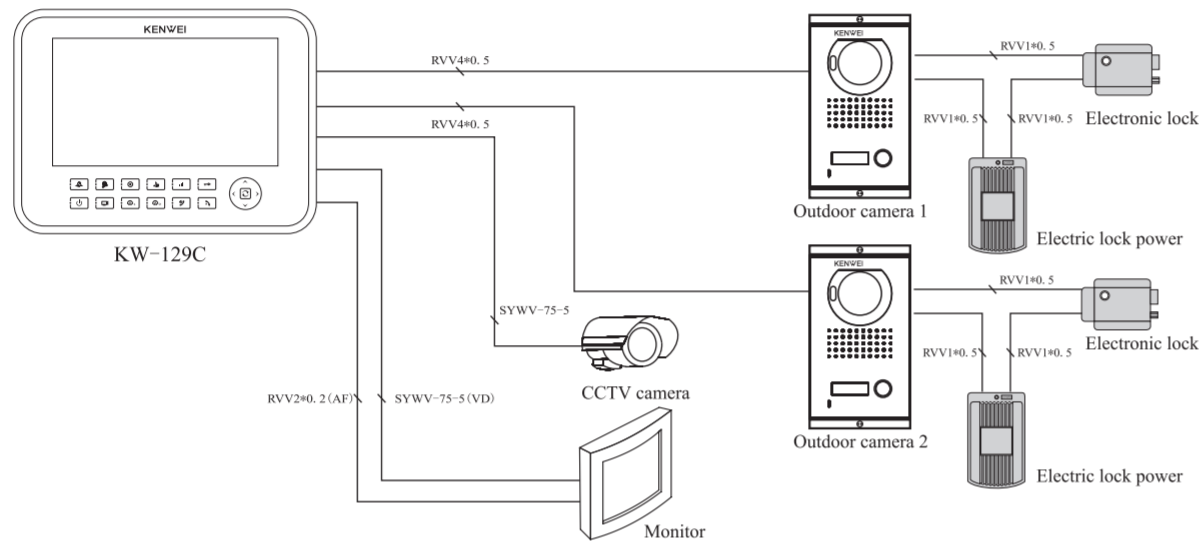
Connection diagram of indoor monitor and outdoor camera (1-1)



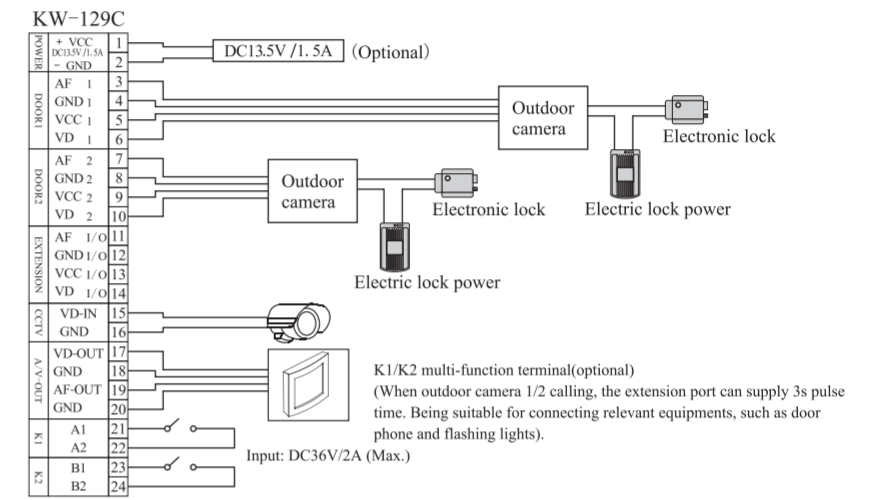
Connection diagram for terminals at back of unit



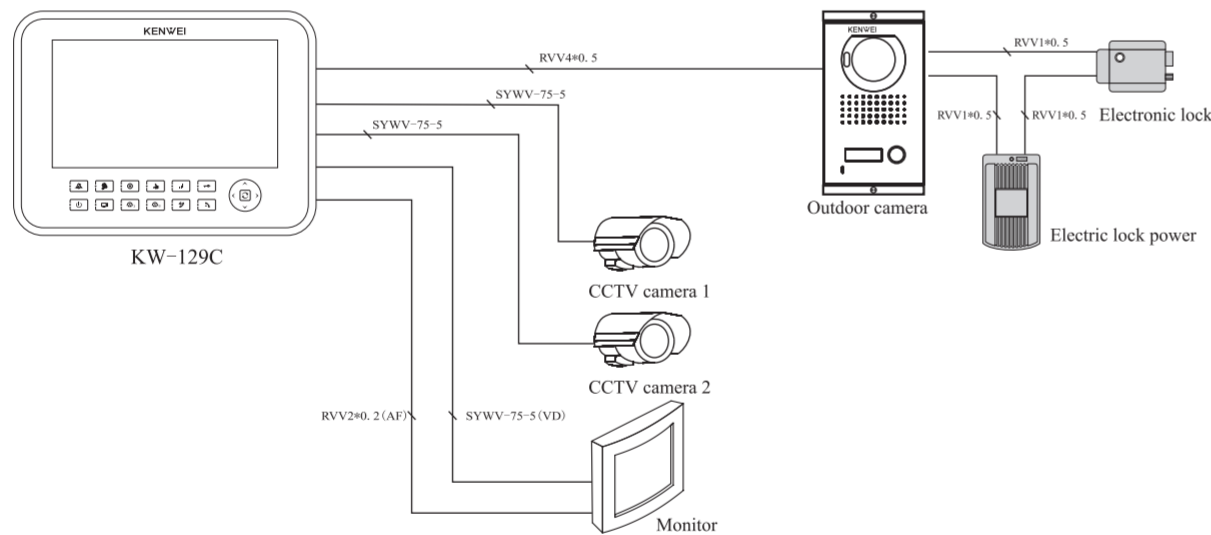
Connection diagram of indoor monitor and outdoor camera (1-2)



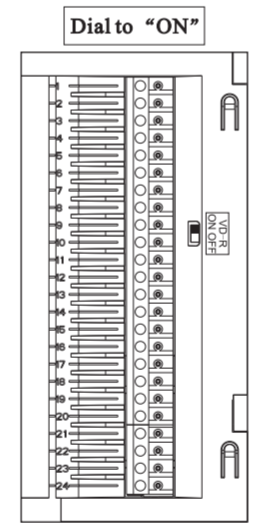
Connection diagram for terminals at back of unit



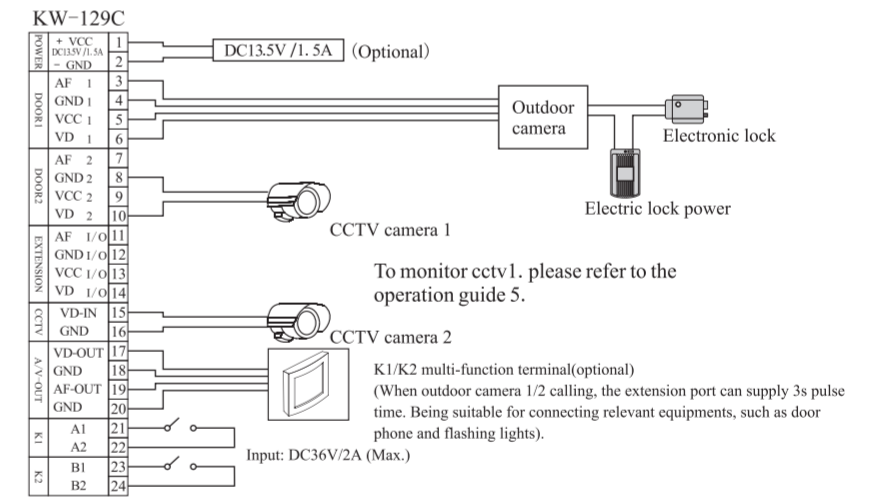
Connect to 1pc outdoor camera, 2pcs CCTV camera



Connect to 1pc outdoor camera, 2pcs CCTV camera

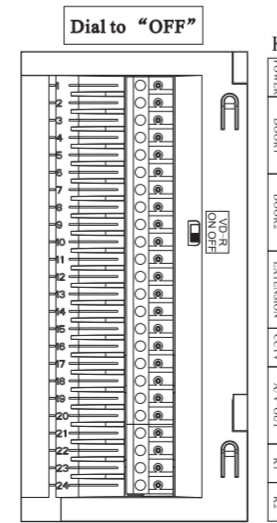
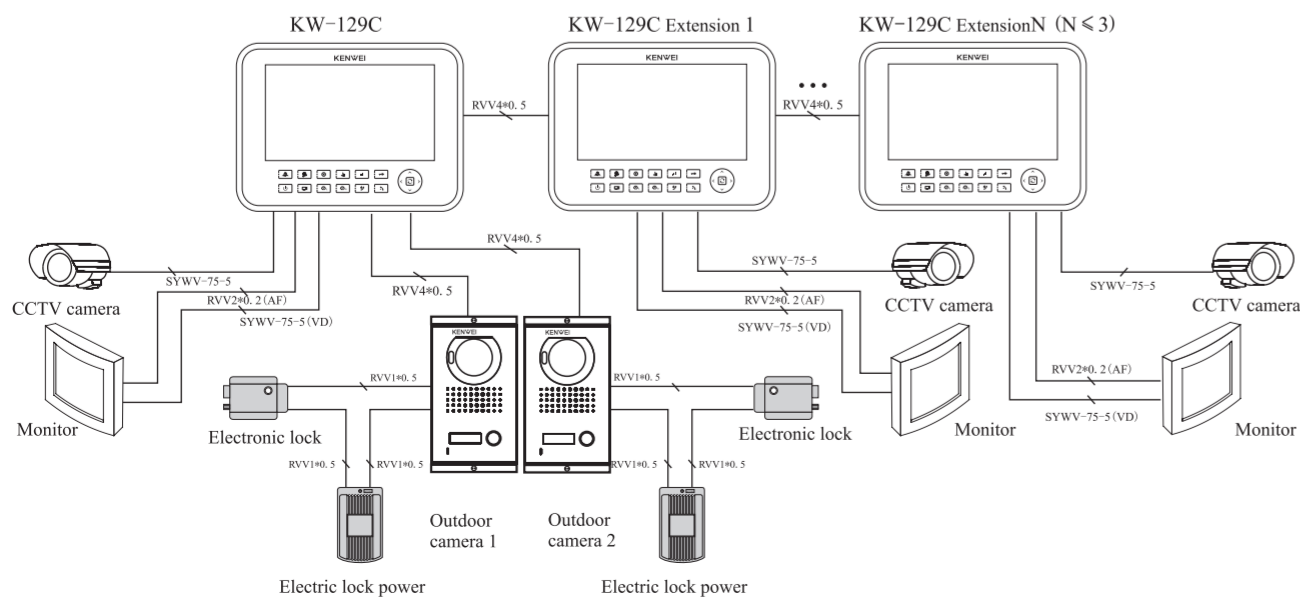


Connection diagram for terminals at back of unit



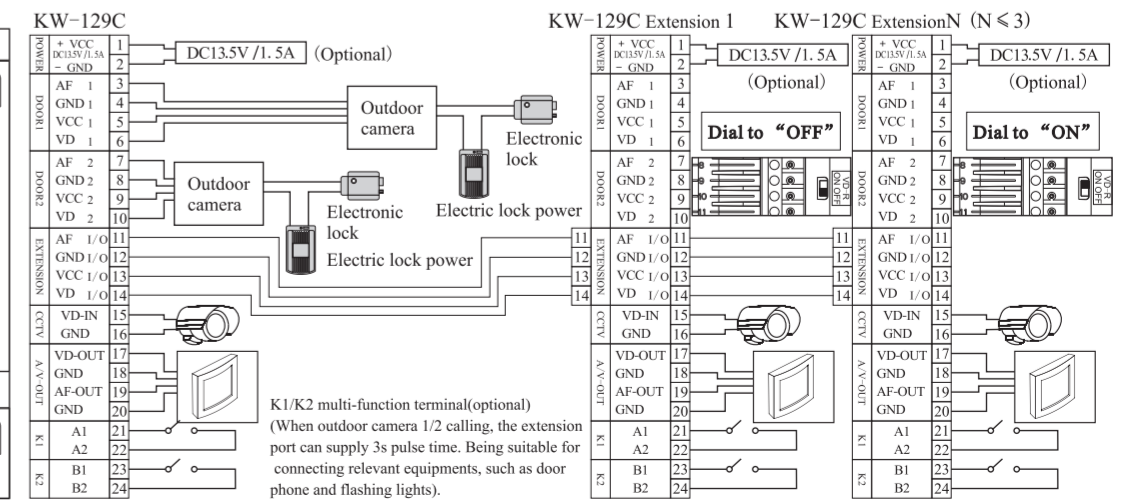
Connection diagram of more units

Connection diagram of more units



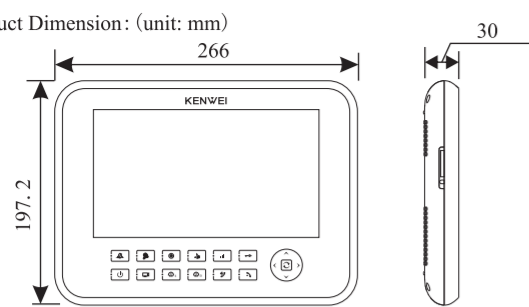
Remark

The last monitor's VD-R should be dialed to "ON" other's should be "OFF".

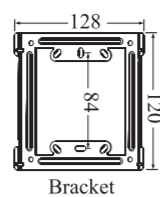


## Specifications and Accessories

Product Dimension: (unit: mm)



Accessories:

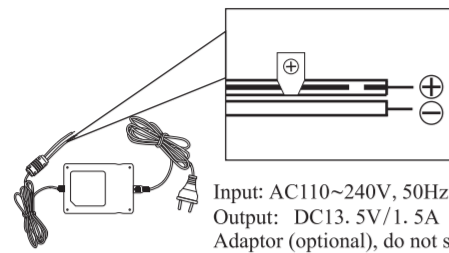


Bracket

Mounting Screw:  $\varnothing 4 \times 25$ mm

Dilantant Plug

AC power cord



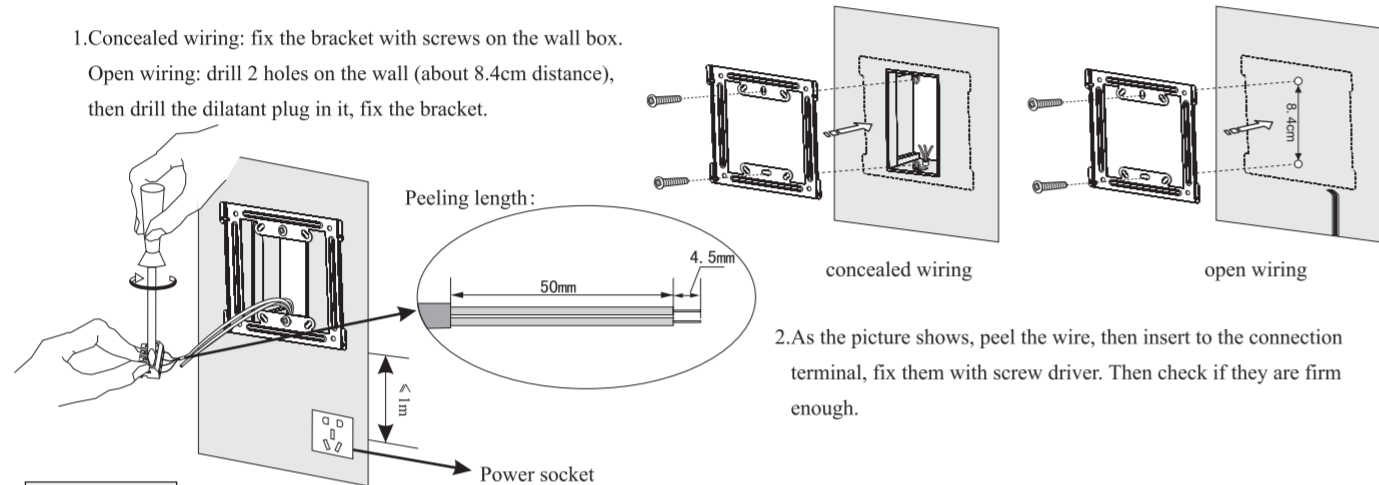
Input: AC110~240V, 50Hz/60Hz  
Output: DC13.5V/1.5A

Adaptor (optional), do not supply if you choose AC power.

## Installation

1. Concealed wiring: fix the bracket with screws on the wall box.

Open wiring: drill 2 holes on the wall (about 8.4cm distance), then drill the dilatant plug in it, fix the bracket.



Peeling length:

50mm

4.5mm

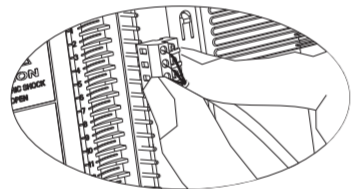
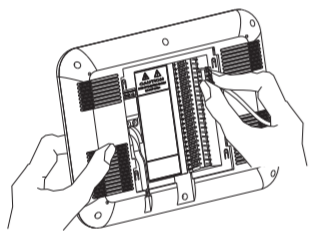
concealed wiring

open wiring

2. As the picture shows, peel the wire, then insert to the connection terminal, fix them with screw driver. Then check if they are firm enough.

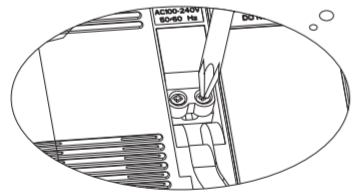
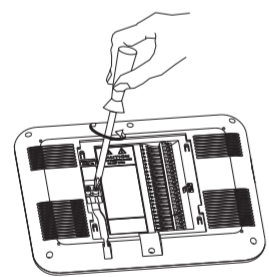
### Remark

please install the unit near the power socket. (The direct distance between bracket and socket should be  $\leq 1.5$ m.)



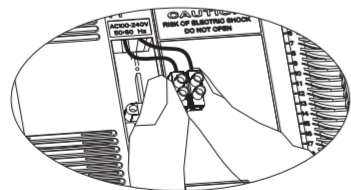
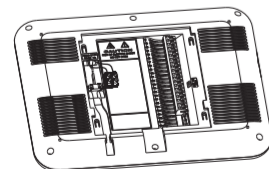
3. After connection, insert the wiring ports to the corresponding needles.

## Installation (with AC power cord)

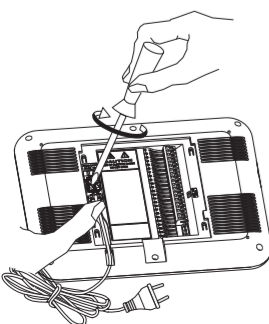


Fixed unit, screws

1. Screw out the screws on the fixed unit.



2. Pull out the power connection terminal, to connect the power cord.



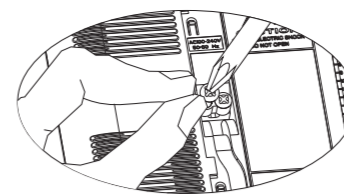
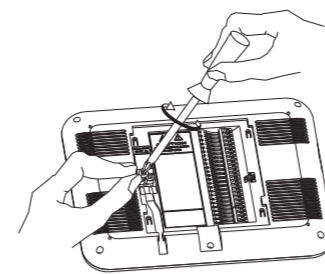
Fix power supply wire to the fixed unit.

Peeling length:

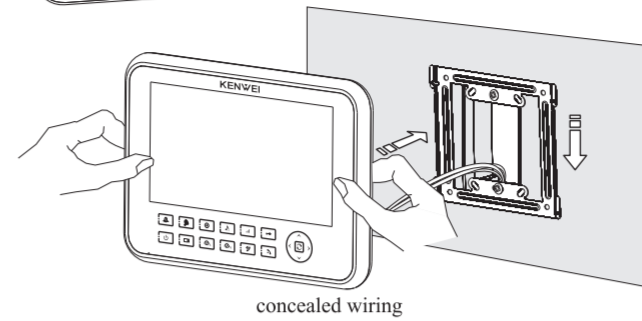
8mm

4.5mm

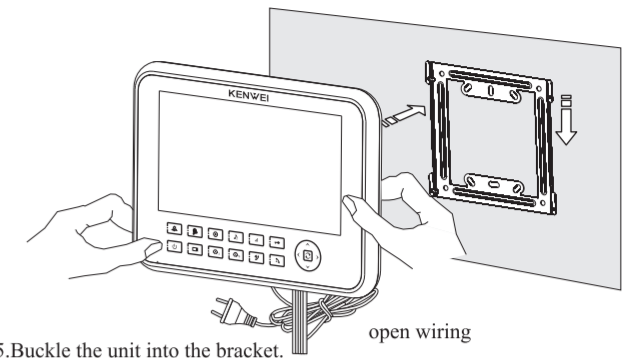
3. Peel the wire, connect the power cord to the terminal, then fix the screws.



4. Place the connection terminal and power cord, fix the power cord to the fixed unit, but please note that fixed unit should press the unpeeling part of power supply wire.



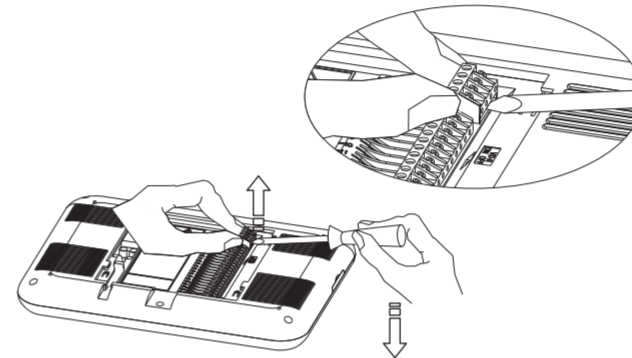
concealed wiring



open wiring

5. Buckle the unit into the bracket.

## Disassembly



1. Push up the unit to disassemble it.

2. Please use screw driver if you would like to take off the connection terminal from the connection needles.

### Remark

Please cut off the power during disassembly.

## Installation Attention

**1. Do not expose the unit to sunshine or rain.**

Even if you do not use it, don't expose it to sunshine or rain.

**2. Do not expose to intense light.**

Spotlight may cause stain or striation in the screen.

**3. Do not disassemble the unit by yourself.**

Improper disassembly may damage the unit or cause electric shock.

**4. Do not splash water on the unit.**

Install the unit in dry place. In case that the unit gets wet, turn off the unit and contact with your dealer.

**5. Check the ambient temperature and humidity.**

Avoid using the unit where the temperature is hotter or colder than specified, otherwise the internal parts may get affected. Special care is required to use the unit at high temperature and humidity.

**6. In case of trouble.**

If any trouble occurs while you are using the unit, turn off the power and contact your dealer to avoid worse problem or unpredictable accident.

**7. About operation.**

Keep the unit away from magnetic equipments such as microwave oven or big speaker. If the unit will not be used for a long time, please switch it off.

**8. About clean.**

Use soft cloth to clean the unit. Do not use any impregnant, such as alcohol, benzene. If you have any problem, please contact your dealer.

### Remark

When you choose the place to install the unit, please pay attention to:

- Keep sufficient space for ventilation and easy communication.
- Keep sufficient space to adjust while installing.
- Not put hot resource under the unit.
- The socket outlet shall be installed near the equipment and shall be easily accessible.