



TS2100 Series

TS2100 Tripod Turnstile

TS2111 Tripod Turnstile

(w/ Controller and RFID reader)

TS2122 Tripod Turnstile

(w/ controller and combination fingerprint & RFID reader)

The ZKTeco TS2100 tripod turnstile series is a compact and cost-effective entrance control system designed for high-traffic volume.

TS2100 is a single-lane tripod turnstile series designed for smooth and silent operation and draws very little power. It's made of stainless steel which makes TS2100 highly durable. TS2100 is also surprisingly compact and designed to operate in small workspaces.

TS2100 tripod arms are normally held in a locked position, thus denying access to the secured side. Upon TS2100's reader (RFID and/or fingerprint) positively recognizing a user's valid access card or fingerprint, its tripod arms unlock, thus allowing users passage to the secured side.

Option for built-in REX button allows users to conveniently exit the secured side without needing to use their access card or fingerprint.

During emergencies and power outages the tripod arms completely collapse, thereby ensuring users FAST unencumbered exit to safety.

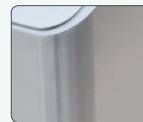
TS2100 provides both security and convenience, all in a very durable compact design.

Features



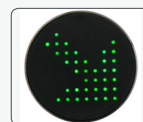
Reliability

- Alloy steel tripod hub and SUS304 stainless steel casework & tripod arms ensure long-lasting durability
- Power conservation. Electro-magnetic locks remain in "standby mode" until turnstile is activated
- Patented oil lubrication system reduces need for maintenance
- High quality electrical components



Safety Features

- Tripod-arms unlock & drop during emergencies /power loss
- All smooth finish. No exposed screws or fasteners
- Visual indicator for access granted (or denied)
- Ergonomic design makes card and fingerprint authentication fast & simple for users.
- Secure. Supports Anti-tailgating.



Built-in Reader Integration

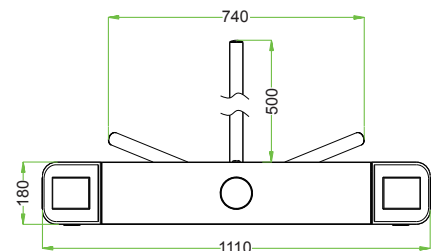
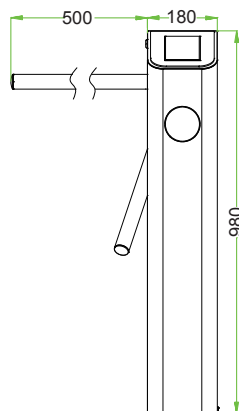
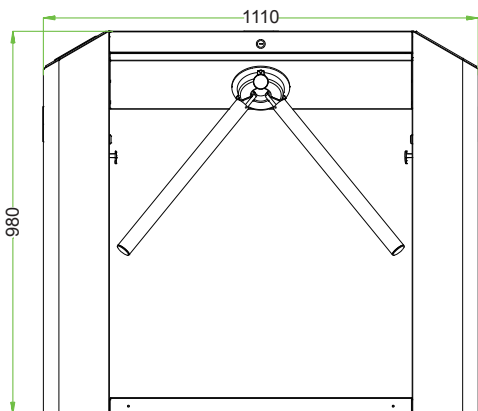
- TS2100 series ships already integrated with our customers' preference for either card or fingerprint access control reader. This greatly reduces installation time & expense.
- TS2100 series and associated access control readers are all factory-tested prior to shipping.
- ZKTeco provides true plug'n play turnstiles with the lowest possible total cost of ownership in the industry!



Specifications

| | | |
|----------------------------|-------------|--------------------------------------------------------------------|
| Power requirements | | AC110V/220V, 50/60Hz |
| Power Consumption | Starting | 73W |
| | Standby | 20W |
| | Unlock | 63W |
| Working Temperature | | -28 °C - 60 °C |
| Working Humidity | | 5%-80% |
| Working Environment | | indoor/Outdoor(if sheltered) |
| Speed of throughput | RFID | Maximum 32/minute |
| | Fingerprint | Maximum 28/minute |
| | Face | Maximum 13/minute |
| | Vein | Maximum 19/minute |
| Lane width(mm) | | 500 |
| Footprint(mm*mm) | | 1110*680 |
| Dimension(mm) | | L=1100, W=180, H=980 |
| Dimension with packing(mm) | | L=1200, W=280, H=1080 |
| Net weight(kg) | | 45 |
| Weight with packing(kg) | | 53 |
| LED indicator | | Y |
| Cabinet material | | SUS304 Stainless Steel |
| Lid material | | SUS304 Stainless Steel |
| Barrier material | | SUS304 Stainless Steel |
| Barrier Movement | | Rotating |
| Emergency mode | | Y |
| Security level | | Medium |
| MCBF | | 1 million |
| Options/Accessories | | Counter, Card Receiver Box, SUS316 Cabinet and Lid, Remote Control |

Dimensions (mm)



ZKTeco Inc.
www.zkteco.com
 E-mail: sales@zkteco.com

© Copyright 2016. ZKTeco Inc. ZKTeco Logo is a registered trademark of ZKTeco or a related company. All other product and company names mentioned are used for identification purposes only and may be the trademarks of their respective owners. All specifications are subject to change without notice. All rights reserved.

