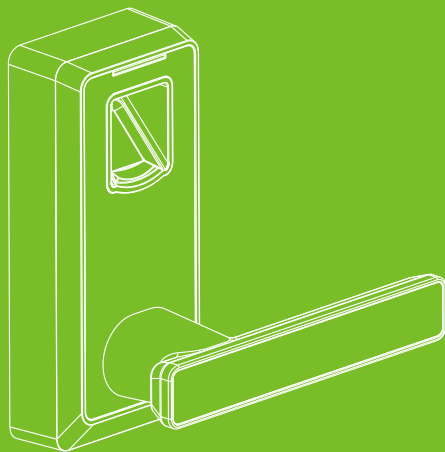


Installation Instruction

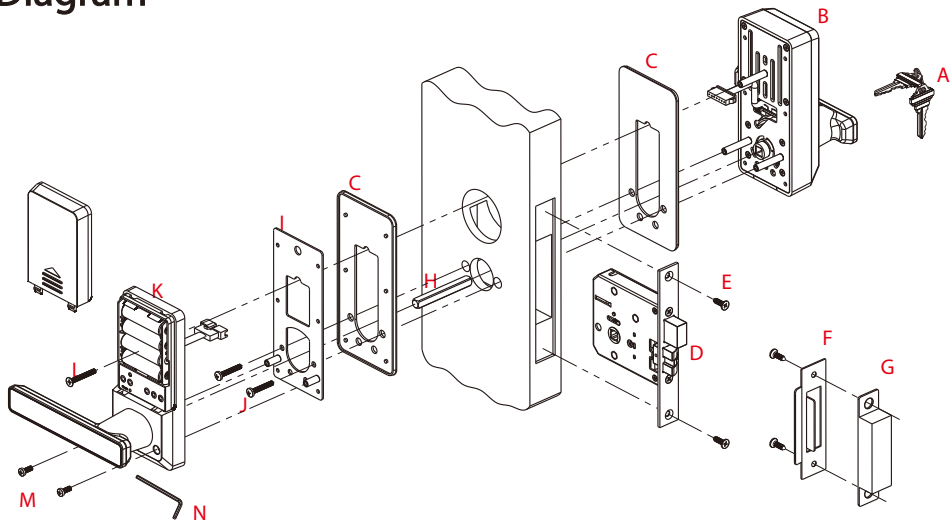
PL10D/ML10D

Version: 2.0

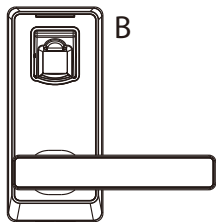


Before Installation

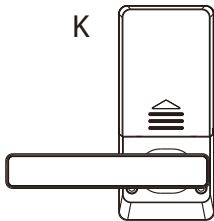
Diagram



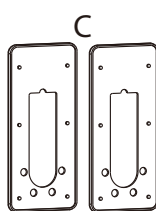
Packing List



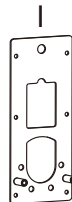
B



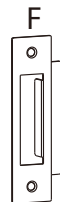
K



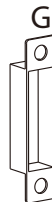
C



I



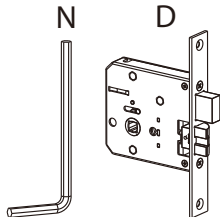
F



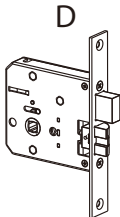
G

Mounting Hardware Package
for door thickness of 39-46mm

Mounting Hardware Package
for door thickness of 47-54mm



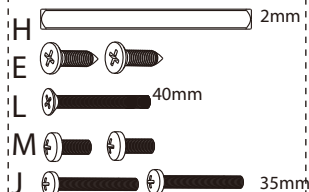
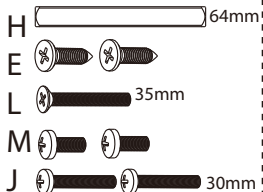
N



D



A



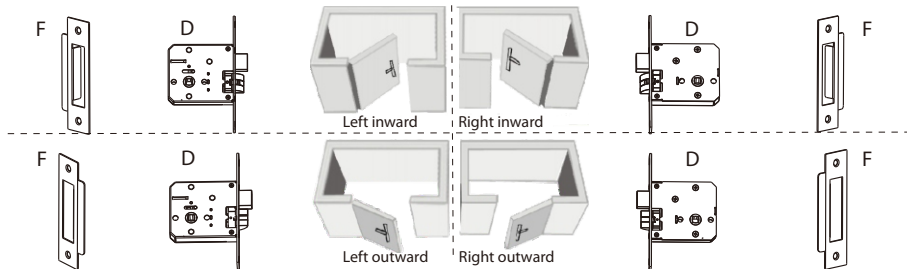
Door Preparation

1. Check the door thickness and prepare the corresponding mounting hardware package.

Door Thickness (mm)	H Spindle Length (mm)	J Screw Length (mm)	M Screw Length (mm)	L Screw Length (mm)
30~38	56	20	10	25
39~46	64	30	10	35
47~54	72	35	10	40
55~60	80	45	10	50

Note: The standard lock includes 2 mounting hardware packages only, which are used for the door thickness of 39-46mm and 47-54 mm separately.

2. Check door opening direction.



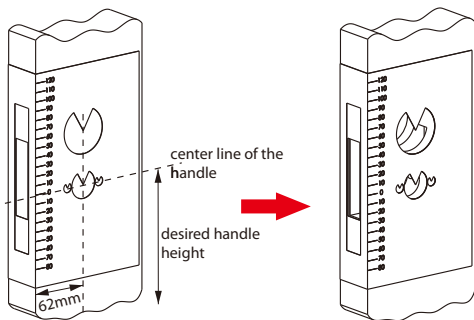
Note: Please refer to the above picture to adjust the direction of strike plate F and latch D.

Remarks

1. New lock is configured to grant any fingerprint access.
2. The lock is equipped with mechanical keys for manual unlocking. Remove mechanical keys from the package and keep them in a safe place.
3. To power up the lock, four alkaline AA batteries (not included) are required. Non-alkaline and rechargeable batteries are NOT recommended.
4. Press the fingerprint sensor or the sensor holder to power up the lock. To avoid unlocking the door when pressing the fingerprint sensor, pressing the sensor holder to power up the lock is recommended.
5. The operation of lock setting has a stand-by time limit of 10 seconds, if there is no any activity, the lock will shut off after 10 seconds.
6. Keep your fingers clean when using this lock.

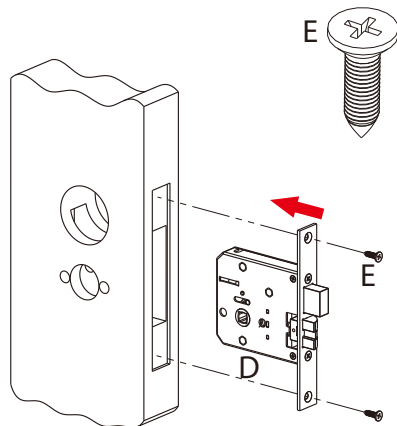
Installation

1. Drill holes on the door.

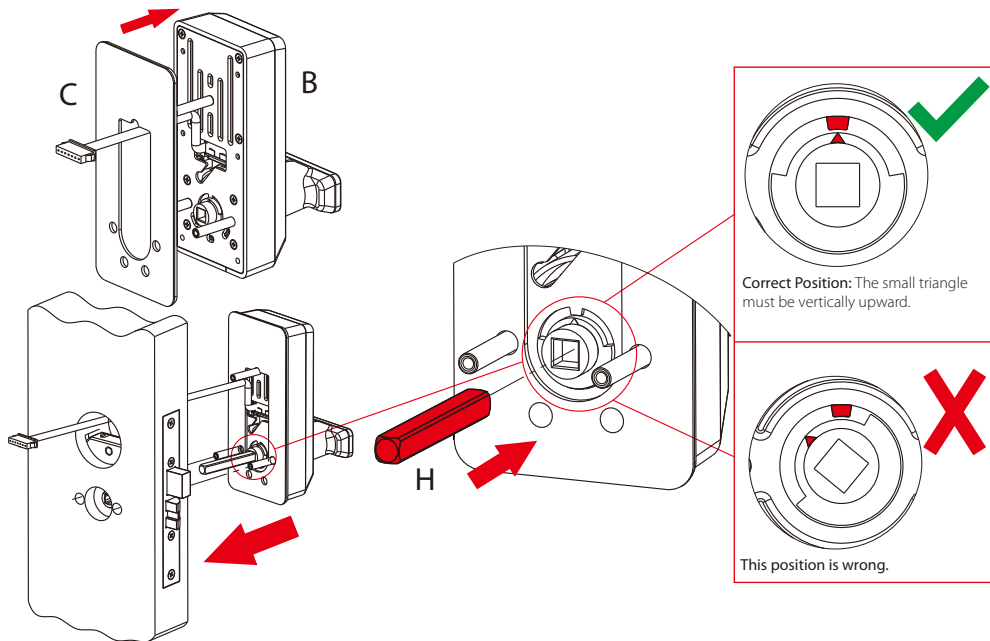


- 1) Align the template along the vertical center line of the latch(D) at the desired handle height, and tape it to the door.
- 2) Mark the holes first, and then start drilling.

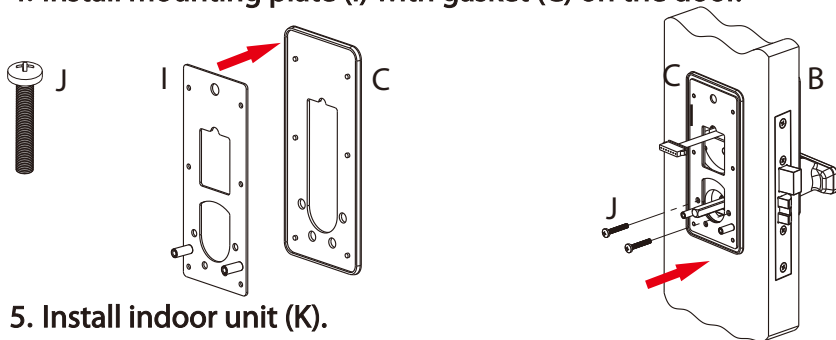
2. Install the latch (D).



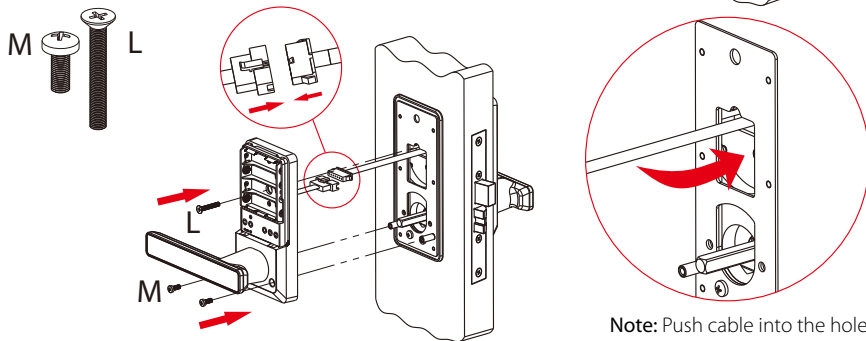
3. Install outdoor unit (B) with gasket (C) and spindle (H) on the door.



4. Install mounting plate (I) with gasket (C) on the door.

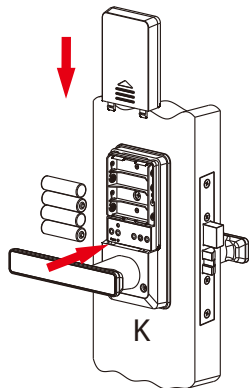


5. Install indoor unit (K).

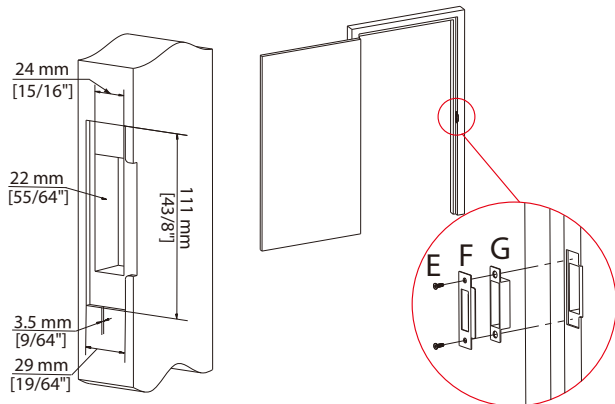


Note: Push cable into the hole first.

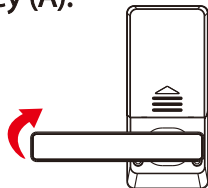
6. Insert batteries.



7. Mark and drill holes for the strike.



8. Test the lock by rotating the back handle and using the mechanical Key (A).



Note:

- 1) When the door is locked and the clutch is idle, the front handle can be turned, but the door will remain locked.
- 2) When you are inside the door, turn the handle upward to lock the deadbolt for more security. When you go out, verify your fingerprint first, and then turn the handle up to lock the door for the safety of your property.